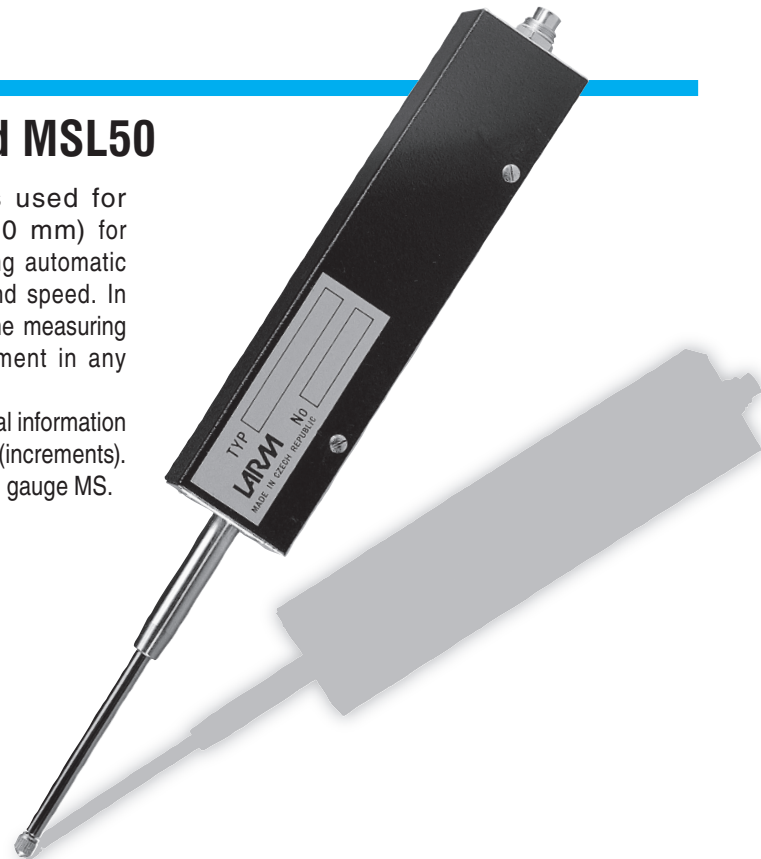
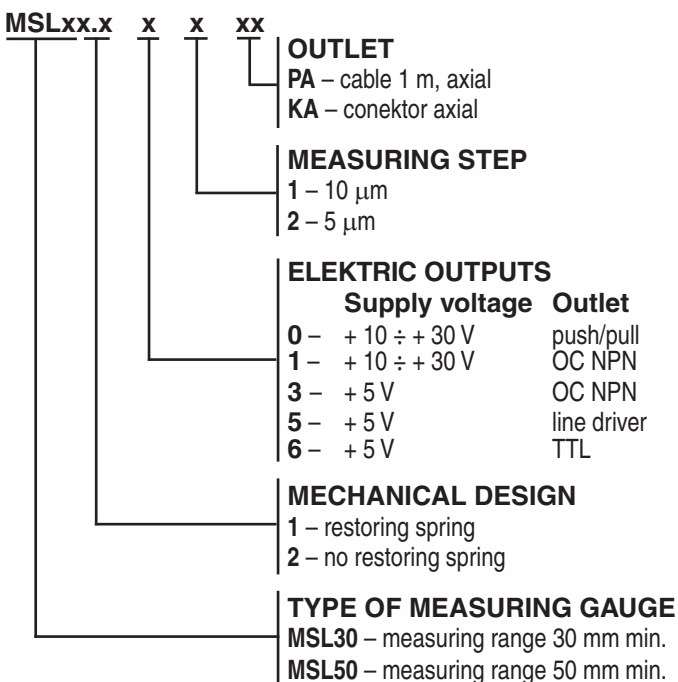


Length measuring gauges MSL30 and MSL50

The length measuring gauges MSL30 and MSL50 is used for the accurate measuring of short distances (30 and 50 mm) for example in metrology, precision engineering, gauging and selecting automatic machines or as an accurate limit switch for measuring position and speed. In connection with digital read-outs it can be used as a dial indicator. The measuring gauge is equipped with a restoring spring which defines a moment in any measuring position.

On request the gauge can be supplied without the restoring spring. Optical information of position is transformed by electronic circuits to electrical impulses (increments). The length measuring gauge MSL can fully replace the length measuring gauge MS.

Type identification



Assembly

Assembly is by way of a fitted diameter 8h6 or with four screws M3 at the head and side of the measuring gauge. The measuring rod is provided with a thread M2.5 for fastening of any measuring contact.

Note: The measuring rod is provided with a protective cover and therefore cannot be lubricated by oil or other lubricants.

Output signals

MSL30 and MSL50 with TTL

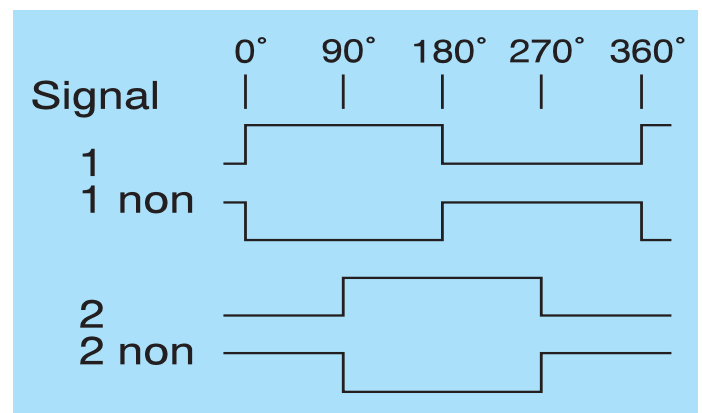
2 basic signals (1, 2) displaced phase 90°

MSL30 and MSL50 with push-pull, OC NPN, line driver

2 basic signals (1, 2) displaced phase 90° and negation.

Technical data

Output	push - pull	OC NPN	OC NPN	line driver	TTL
Supply voltage U_N [V]	+ 10 to + 30		+ 5		
Output frequency [kHz] max.	150	100		150	100
Supply current I_N [mA] max.	40	60	60	80	40
Output I_o [mA] max.	± 25	+ 25	+ 25	± 25	–
Length cable [m] max.	50		20		3
Measuring range [mm] min.	30 or 50				
Measuring step [μm]	5 or 10				
Measuring anvil	arbitrary with M2,5				
Measuring position	arbitrary				
Restoring spring power [N] max.	0,8 ± 0,2				
Measuring speed [m^{-1}] max.	5 μm = 1, 10 μm = 2				
Weight of moving parts [g] max.	20				
Permissible radial force [N] max.	0,2				
Weight [kg] max.	0,25				



Working conditions

Operating temperature 0° to +60°C
 Humidity – relative 95 % max.
 – absolute 40 g.m⁻³ max.
 Atmosphere without aggressive substances.

Wiring connection to the cable for MSL30 and MSL50

Pin conector	Color of outlet cable	Significance		
		MSL30 a 50 push-pull, OC NPN	MSL30 a 50 line driver, OC NPN	MSL30 a 50 TTL
1	White	Signal 1		
2	Yellow	Signal 2		
3	Brown	- 10 to + 30 V	+ 5 V	
4	Green	GND		
5	Grey	Signal 1 non	NC	
6	Rose	Signal 2 non	NC	
	Shield	Shield		

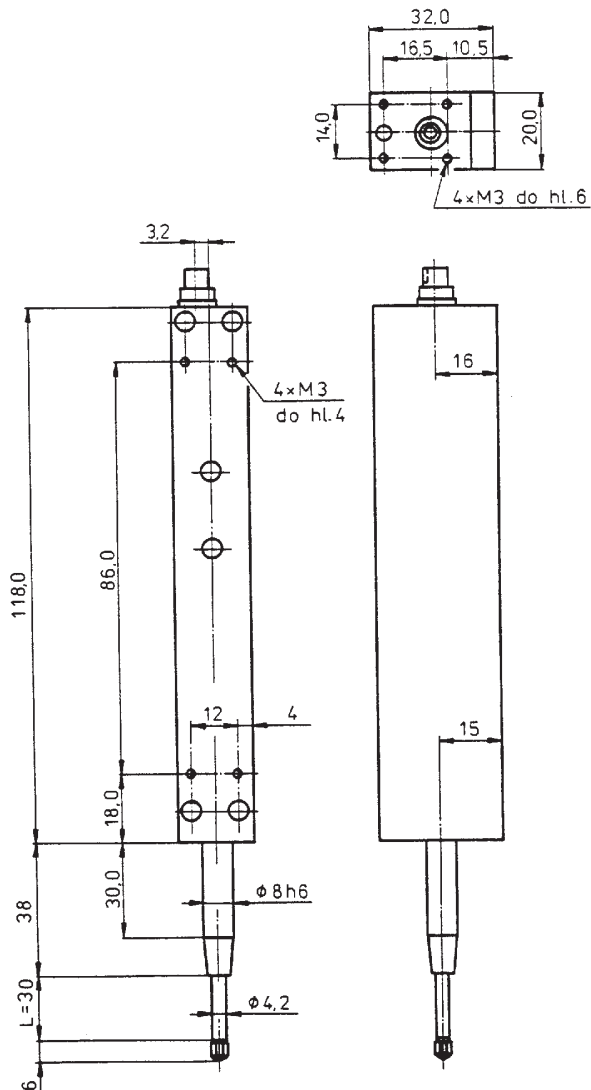
How to order?

Please indicate gauge type, with or without restoring spring, output, number of pieces, delivery term and other non-standard features.

Example of an order

We are ordering 20 pieces of MSL50.151KA
Length measuring gauge MSL50 with restoring spring, output LB with connector with delivery term of within four weeks.

Dimensioned drawing MSL30



Dimensioned drawing MSL50

